

ATS Brochure

Inside Flap

Back

Front

Don't just take our word for it — see what some of our customers have to say!!!

"We've used ATS tapping units for the last 25 years, finding service & customer support to be exemplary. We've found the latest generation of ATS units to be the most compact, durable and designer friendly we've experienced."

Hakim Kuhn, Tooling Engineer, Trico Tool & Mfg. Co., Inc.

"After switching from a competitor's tapping unit to an ATS unit, we've run millions of parts and substantially reduced maintenance & operating costs. We have since converted all our tapping dies to ATS tapping units."

Sam Valente, Machinery Metals, Inc.

"After experiencing an alarming number of failures with a competitor's tapping unit, we mounted an ATS unit in one of our existing tapping dies. With the ATS tapping unit, we were able to increase our part run numbers from 30,000 to 90,000 parts per tap and were able to use standard taps priced at \$8.00 each, compared to custom taps priced at \$30.00 each. We have run in excess of 50,000,000 pieces, lowering maintenance and operating costs to a small fraction of what they were."

Paul Mouton, American Engineered Components, Inc.

"We looked at all the in-die tapping options available, and only one could meet our specifications. We bought that first 2 spindle ATS unit in 1996, and it paid for itself within the first year. We were so pleased with those savings and the unit's flawless performance that we have purchased thirteen more units since then, with one, two, three, and five spindles. We currently have eight progressive dies in use with eleven "bottom-up" tappers and three "top-down" units, tapping up to 6,000,000 pieces per spindle per year."

Major US Electrical Manufacturer

"After manufacturing a particular part with a tapped hole for a number of years, our customer demanded cost reductions to eliminate the risk of losing the job to overseas competition. Since the secondary tapping operation was more costly than the stamping operation, we contacted ATS to explore the possibility of in-die tapping. The engineers at ATS analyzed that our need was an excellent candidate for in-die tapping. They followed through from design to the initial installation of the unit. We lowered the cost of our customer, increased quality, and increased our profits through in-die tapping. We have run over 6,000,000 trouble-free parts in our first eight months and wish we had twenty presses running similar jobs."

Mark Erickson, J & J Precision Eyebit

"With the success of our first couple of ATS tapping units, we contacted ATS to examine and retrofit a part previously thought not to be feasible for in-die tapping. The engineers at ATS designed and built a 4 spindle strip following tapping unit which required few modifications to our existing tool. Without sacrificing gross speed, we were able to combine stamping and tapping into a single operation, eliminating the need for costly secondary tapping."

Frank Dietrich, Northfield Metal Product



Automated Tapping Systems, Inc.
PO Box 1023
Irving, NJ 08823
Phone: (908) 261-1427
Fax: 732-898-0277
www.automatedtapping.com

Distributed by



Automated Tapping Systems
Manufacturing in-die tapping units for 35 years



In-die Tapping Solutions

Inside Spread

Automated Tapping Systems

www.AutomatedTappingSystems.com

Automated Tapping Systems

1.888.287.1827

Automated Tapping Systems

www.AutomatedTappingSystems.com

For over 35 years ATS has been the forerunner in the in-die tapping industry, manufacturing the most innovative and reliable tapping units in the world. ATS dedicates 100% of its efforts toward in-die tapping, providing its customers with the cutting edge of technology and engineering support they can count on. When implementing in-die tapping, our engineers have a vast variety of tapping units to work with, including top-down, bottom-up, high-speed, strip-following, 90-degree, servo-strip-following, and multi-spindle. ATS customers know they will have the most competitive and cost effective solution to in-die tapping available.

Reliable

Over 35 years of manufacturing experience gives ATS an engineering foundation unrivaled in the industry. ATS in-die tapping units are capable of running millions of maintenance-free parts. Reliability is only one reason we are often called upon to replace a competitor's tapping unit with an ATS tapping unit.

Innovative Design

ATS tapping units are not only designed to be the most rugged in the industry, they have many user-friendly features that make them favored among tool shops around the world. ATS twist lock lead screw assembly allows tap changes, pitch changes, and tap height adjustments to be made in seconds — all without removing the tapping head. We can design multi-spindle tapping units, strip-following tapping units, bottom-up tapping units with all the same features, requiring very little die space, as is evident in the right spindle tapping unit pictured.

Cost Effective

ATS tapping units are not only innovative and available, they are also the most cost-effective, user-friendly tapping units available. When getting a job using ATS tapping units, our customers have a distinct advantage over the competition.



Figure 1

Top-Down Figure 1
Top-down tapping units are closely adapted to parts with minimal die life. These units are capable of running very high speeds and are fully suited to high volume jobs, while requiring minimal maintenance. They utilize twist lock lead screw assembly, allowing tap changes to be made in seconds.



Figure 2

Bottom-Up Figure 2
When strip lifts increase beyond the capacity of standard top-down tapping units, tapping from the bottom-up is the most effective method. Bottom-up tapping units are capable of running or speeds similar to top-down tapping units for volume or equally maintenance-free strokes.



Figure 3

Multi-Spindle Figure 3
These units are used to tap right holes, for an automotive part, in a single station. Multi-Spindle units are the most cost-effective per hole-tapped method of in-die tapping. They greatly reduce die space, as compared to individual tapping units.



Figure 4

Strip-Follower Figure 4
The self-contained strip-following tapping units increase tapping production rates while maintaining standard strip lengths, greatly reducing tooling costs.

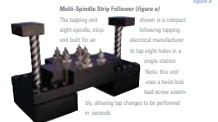


Figure 5

Multi-Spindle Strip-Follower Figure 5
When a compact strip-following tapping unit built for an electrical manufacturer to tap right holes in a single station. Note: this unit uses a twist lock lead screw assembly, allowing tap changes to be performed in seconds.



Figure 6

Servo-Driven Figure 6
The revolving operation of a servo-driven tapping unit functions independently of the press stroke, which is particularly useful with larger diameter taps. The tapping unit is positioned in a universal servo drive unit, capable of tapping from the top-down or bottom-up.

FEATURES

- Press speeds up to 250 strokes per minute
- Uses standard cut or roll form taps
- Simple installation saves tooling costs
- Removable twist-lock lead screw assembly
- Change tap in seconds
- Change tap size and pitch in only minutes
- Misfeed protection prevents tap breakage
- Through-tool coolant capabilities
- High-torque driver
- Capacity 2-56 to 1 1/4" 12 for metric equivalent)
- Change from die to die in minutes
- Lead-screw tapping assures quality thread
- Custom units built to customer's specs

ATS PATENTED TECHNOLOGY

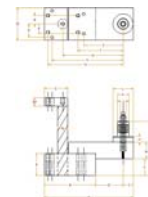


Twist Lock Design

ATS' twist lock lead screw assembly has many unique features incorporated into a very compact unit. With our lead screw assembly, tap changes are made outside the die. This is not only safer, but faster and easier for the operator. Tap adjustments are made easily by simply changing the starting point of the twist lock lead screw assembly to the appropriate height without removing the tapping unit. This is unique to all ATS tapping units and simplifies set up from job to job.

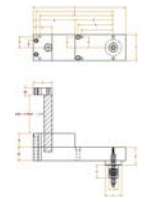
Strip-Following Technology

The ATS strip-follower unit increases tapping production rates by 50% or more, while maintaining standard stripper travel lengths. Lower stripper travel translates into lower tooling costs. The SF unit allows for a larger tapping window during the press cycle, allowing tapping head gear rates to be reduced. In turn, it increases the strokes per minute that the press can run and still maintain the proper RPM on the tap. The result: an increase in production of 50% or more!



	TH05	TH06	TH08	TH10	TH12	TH16
A	7.915	8.615	11.500			
B	4.975	4.975	7.000			
C	3.965	3.965	3.000			
D1	2.000	2.000	2.000			
D2	0.750	0.750	1.500			
E1	2.440	2.440	2.500			
F	1.500	1.500	2.500			
G	0.875	0.575	0.825			
H	0.500	0.500	1.000			
I	0.500	0.500	1.025			
J	0.500	0.625	0.750			
K	1.000	1.250	1.625			
L	1.500	2.000	2.500			
M	1.500	1.500	2.000			
N	0.875	0.875	1.375			
O	2.075	2.075	4.000			
P	1.105	1.105	1.750			
Q	0.875	0.875	1.500			
R	0.500	0.500	1.250			
S	1.500	1.500	4.750			
T	0.625	0.625	0.648			
U	0.575	0.575	0.741			
V	0.525	0.525	0.648			
W	0.300	0.300	0.411			

*Longer Lengths Available



	TH05	TH06	TH08	TH10	TH12	TH16
A	10.125	10.125	13.400			
B	1.500	1.500	1.500			
C	2.075	2.075	3.075			
D1	1.500	1.500	1.500			
D2	0.750	0.750	1.500			
E	4.100	4.100	4.000			
F	2.075	2.075	4.000			
G	2.000	2.000	-			
H	1.375	1.375	2.075			
J	1.500	1.125	1.125			
K	1.800	1.800	-			
L	0.875	0.875	1.375			
M	0.500	0.500	10.375			
N	0.875	0.875	4.375			
O	2.525	2.525	9.375			
P	0.674	0.674	10.800			
Q	0.500	0.500	1.250			
R	1.105	1.105	1.750			
S	0.575	0.575	0.741			
T	-	-	-			
U	4.575	4.575	7.000			



Automated Tapping Systems

Manufacturing in-die tapping units for 35 years



In-die Tapping Solutions

Don't just take our word for it — see what some of our customers have to say!!!

"We've used ATS tapping units for the last 20 years, finding service & customer support to be exemplary. We've found the latest generation of ATS units to be the most compact, durable and designer-friendly we've experienced."

Hakim Kahn, Tooling Engineer, Tryco Tool & Mfg. Co., Inc.

"After switching from a competitors tapping unit to an ATS unit, we've run millions of parts and substantially reduced maintenance & operating costs. We have since converted all our tapping dies to ATS tapping units."

Sam Valente, Mulberry Metals, Inc.

"After experiencing an alarming number of failures with a competitor's tapping unit, we mounted an ATS unit in one of our existing tapping dies. With the ATS tapping unit, we were able to increase our per-tap numbers from 30,000 to 90,000 parts per tap and were able to use standard taps priced at \$8.00 each, compared to custom taps priced at \$30.00 each. We have run in excess of 50,000,000 pieces, lowering maintenance and operating costs to a small fraction of what they were."

Paul Mounter, American Engineered Components, Inc.

"We looked at all the in-die tapping options available, and only one could meet our specifications. We bought that first 2-spindle ATS unit in 1996, and it paid for itself within the first year. We were so pleased with those savings and the unit's flawless performance that we have purchased thirteen more units since then, with one, two, three, and five spindles. We currently have eight progressive dies in use with eleven "bottom up" tappers and three "top-down" units, tapping up to 6,000,000 pieces per spindle per year."

Major US Electrical Manufacturer

"After manufacturing a particular part with a tapped hole for a number of years, our customer demanded cost reductions to eliminate the risk of losing the job to overseas competition. Since the secondary tapping operation was more costly than the stamping operation, we contacted ATS to explore the possibility of in-die tapping. The engineers at ATS assured us that our part was an excellent candidate for in-die tapping. They followed through from design to the initial installation of the unit. We lowered the cost to our customer, increased quality, and increased our profits through in-die tapping. We have run over 6,000,000 trouble-free parts in our first eight months and wish we had twenty presses running similar jobs."

Mark Ericson, J & J Precision Eyelet

"With the success of our first couple of ATS tapping units, we contacted ATS, to examine and retrofit a part previously thought not-to-be-feasible for in-die tapping. The engineers at ATS designed and built a 4-spindle-strip following tapping unit which required few modifications to our existing tool. Without sacrificing press speed, we were able to combine stamping and tapping into a single operation, eliminating the need for costly secondary tapping."

Frank Dietrich, Northfield Metal Product

For over 35 years ATS has been the forerunner in the in-die tapping industry, manufacturing the most innovative and reliable tapping units in the world. ATS dedicates 100% of its efforts toward in-die tapping, providing its customers with the cutting edge of technology and engineering support they can count on. When implementing in-die tapping, our engineers have a vast variety of tapping units to work with, including top-down, bottom-up, high-speed, strip-following, 90-degree, servo, servo-strip-following, and multi-spindle. ATS customers know they will have the most competitive and cost effective solution to in-die tapping available.

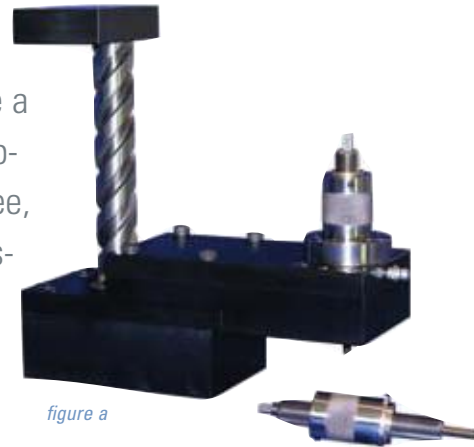


figure a

Reliable

Over 35 years of manufacturing experience gives ATS an engineering foundation unequalled in the industry. ATS in-die tapping units are capable of running millions of maintenance-free parts. Reliability is only one reason we are often called upon to replace a competitors' tapping unit with an ATS tapping unit.

Innovative Design

ATS' tapping units are not only designed to be the most rugged in the industry; they have many user-friendly features that make them favored among tool shops around the world. ATS' twist-lock lead-screw assembly allows tap changes, pitch changes, and tap height adjustments to be made in seconds; —all without removing the tapping head. We can design multi-spindle tapping units, strip-following tapping units, bottom-up tapping units with all the same features, requiring very little die space, as is evident in the eight-spindle tapping unit pictured.

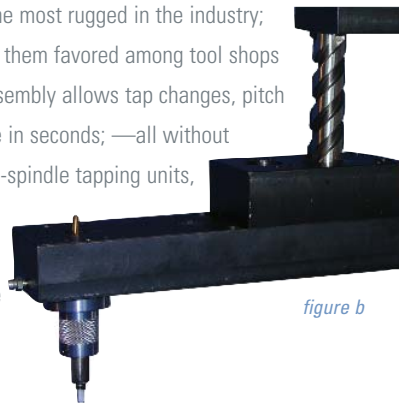


figure b

Cost Effective

ATS tapping units are not only innovative and durable, they are also the most cost-effective, user-friendly tapping units available. When quoting a job using ATS tapping units, our customers have a distinct advantage over the competition.

Top-Down (figure a)

Top-down tapping units are ideally adapted to parts, with minimal strip lift. These units are capable of running very high speeds and ideally suited to high volume jobs, while requiring minimal maintenance. They utilize twist lock lead-screw assembly, allowing tap changes to be made in seconds.

Bottom-Up (figure b)

When strip lifts increase beyond the capacity of standard top down tapping units, tapping from the bottom up is the more desirable method. Bottom-up tapping units are capable of running at speeds similar to top down tapping units for millions of virtually maintenance free strokes.

Multi-Spindle Units (figure c)

These units are used to tap eight holes, for an automotive part, in a single station. Multi-Spindle units are the most cost-effective per hole-tapped method of in-die tapping. They greatly reduce die space, as compared to individual tapping units.

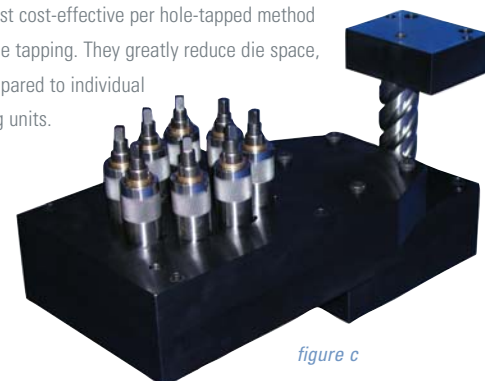


figure c

FEATURES

- Press speeds up to 250 strokes per minute
- Uses standard-cut or roll form taps
- Simple installation saves tooling costs
- Removable twist-lock lead screw assembly
- Change tap in seconds
- Change tap size and pitch in only minutes
- Misfeed protection prevents tap breakage
- Through-tool coolant capabilities
- High-torque driver
- Capacity 2-56 to 1 1/4"-12 (or metric equivalent)
- Change from die to die in minutes
- Lead-screw tapping assures quality thread
- Custom units built to customer's specs

Strip Follower (figure d)

The self-contained strip-following tapping units increase tapping production rates while maintaining standard strip-per travels, greatly reducing tooling costs.

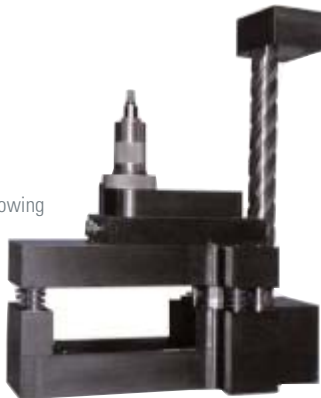


figure d

Multi-Spindle Strip Follower (figure e)

The tapping unit shown is a compact eight-spindle, strip-unit built for an electrical manufacturer to tap eight holes in a single station.

Note: this unit uses a twist-lock lead-screw assembly, allowing tap changes to be performed in seconds.

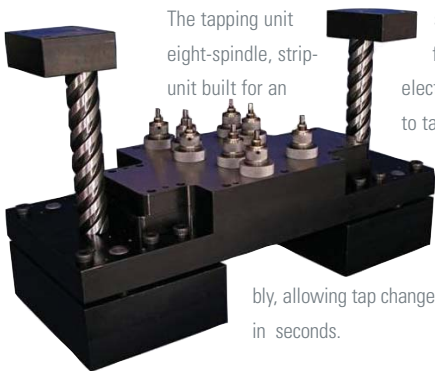


figure e

Servo Driven (figure f)

The threading operation of a servo-driven tapping unit functions independently of the press stroke, which is particularly useful with larger diameter taps. The tapping unit pictured is a universal servo-driven unit, capable of tapping from the top down or bottom up.



figure f

ATS PATENTED TECHNOLOGY

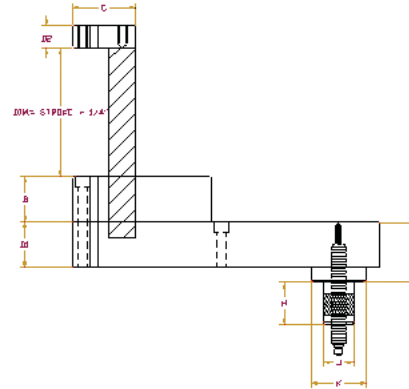
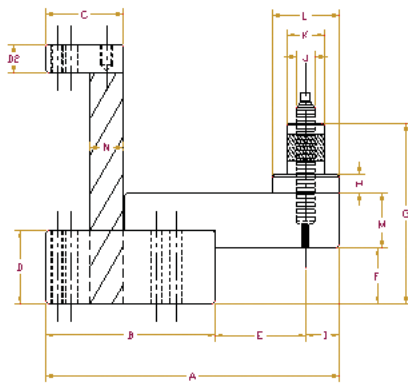
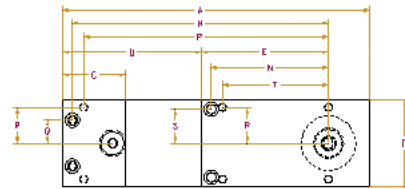
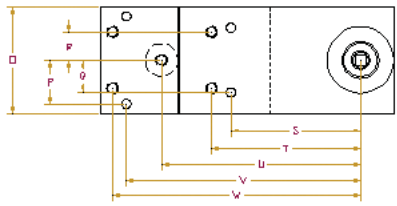


Twist-Lock Design

ATS' twist-lock lead-screw assembly has many unique features incorporated into a very compact unit. With our lead-screw assembly, tap changes are made outside the die. This is not only safer, but faster and easier for the operator. Tap adjustments are made easily by simply changing the starting point of the twist-lock lead-screw assembly to the appropriate height without removing the tapping unit. This is unique to all ATS tapping units and simplifies set-up from job to job.

Strip-Following Technology

The ATS strip-follower unit increases tapping production rates by 50% or more, while maintaining standard stripper-travel lengths. Lower stripper travel translates into lower tooling costs. The SF unit allows for a larger tapping window during the press cycle, allowing tapping head gear ratios to be reduced. In turn, it increases the strokes per minute that the press can run and still maintain the proper RPM on the tap. The result: an increase in production of 50% or more!



	TH25	TH35	TH45
A	7.915	8.415	11.550
B	4.575	4.575	7.000
C	2.185	2.185	3.000
D1	2.000	2.000	2.000
D2	0.750	0.750	1.500
E*	2.440	2.440	2.900
F	1.500	1.500	2.350
G	4.875	5.375	8.225
H	0.500	0.500	1.000
I	0.900	1.400	1.625
J	0.500	0.625	0.750
K	1.000	1.250	1.625
L	1.800	2.000	2.700
M	1.500	1.500	2.500
N	0.875	0.875	1.375
O	2.875	2.875	4.000
P	1.185	1.185	1.750
Q	0.875	0.875	1.309
R	0.760	0.760	1.250
S	3.500	3.500	4.783
T	4.025	4.025	5.408
U	5.375	5.375	7.471
V	6.325	6.325	8.908
W	6.700	6.700	9.471

	TH25	TH35	TH45
A	10.125	10.125	13.450
B	1.500	1.500	1.500
C	2.075	2.075	3.125
D1	1.500	1.500	1.500
D2	0.750	0.750	1.500
E	4.187	4.187	4.808
F	2.875	2.875	4.000
G	2.000	2.000	-
H	1.375	1.875	2.470
J	1.000	1.125	1.161
K	1.800	1.900	-
L	0.875	0.875	1.375
M	8.450	8.450	11.371
N	3.875	3.875	4.308
O	7.125	7.125	9.371
P	8.074	8.074	10.808
Q	0.760	0.760	1.250
R	1.185	1.185	1.750
T	-	-	3.758
U	4.575	4.575	7.000

* Longer Lengths Available



Automated Tapping Systems, Inc.
P.O. Box 1033
Brick, NJ 08723
Phone: 1-888-287-1827
Fax: 732-899-0277
www.automatedtappingsystems.com

Distributed by:

